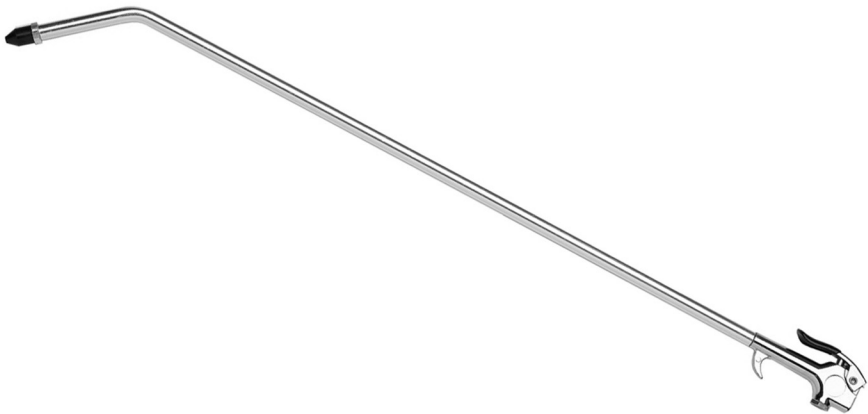


**Chamiko®**

*air*



## EXTRA-LONG AIR BLOWGUN

MODEL NO: CAT149

PART NO: 3120163

OPERATING & MAINTENANCE  
INSTRUCTIONS

---

## INTRODUCTION

---

Thank you for purchasing this CLARKE Blow Gun.

Before attempting to use this product, please read this manual thoroughly and follow the instructions carefully. In doing so you will ensure the safety of yourself and that of others around you, and you can look forward to your purchase giving you long and satisfactory service.

---

## SPECIFICATION

---

<b>Model Number</b>	<b>CAT149</b>
Max Operating Pressure	90 psi (6.2 bar)
Air Inlet Size	1/4" BSP Female
Weight	195 g
Dimensions (L x W x H)	720 x 20 x 70 mm
Compressed Air Supply	1.5 hp compressor and above

---

## GUARANTEE

---

This product is guaranteed against faulty manufacture for a period of 12 months from the date of purchase. Please keep your receipt which will be required as proof of purchase.

This guarantee is invalid if the product is found to have been abused or tampered with in any way, or not used for the purpose for which it was intended.

Faulty goods should be returned to their place of purchase, no product can be returned to us without prior permission.

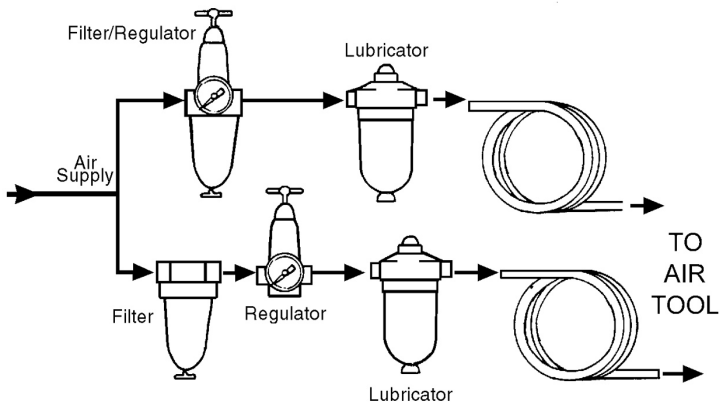
This guarantee does not effect your statutory rights.

# COMPRESSED AIR REQUIREMENTS



**WARNING: COMPRESSED AIR CAN BE DANGEROUS. ENSURE THAT YOU ARE FAMILIAR WITH ALL PRECAUTIONS RELATING TO THE USE OF COMPRESSORS AND COMPRESSED AIR SUPPLY.**

- Use only clean, dry, regulated compressed air as a power source.
- Air compressors used with the tool must comply with the appropriate European Community Safety Directives.
- A build-up of moisture or oil in the air compressor will accelerate wear and corrosion in the tool. Ensure any moisture is drained from the compressor daily and the inlet filter is kept clean.
- If an unusually long air hose is required, (over 8 metres), the line pressure or the hose inside diameter may need to be increased.
- The air hose must be rated at least 150% of the maximum operating pressure of the air tool.



- A typical airline layout is shown above. If an automatic in-line filter/regulator is used, it will keep the tool in good condition, but should be regularly checked and topped up with oil. Clarke airline oil should be used, and the lubricator adjusted to approx 2 drops per minute.
- For optimum performance it is recommended that a 3/8" ID hose is used.

Never exceed the maximum operating pressure for the air tool. It is recommended that air pressure to this air tool does not exceed 90 psi at the tool when running. Higher pressures and dirty air will shorten the life of the tool due to faster wear and is a possible safety hazard.

---

# GENERAL SAFETY RULES

---



CAUTION: FAILURE TO FOLLOW THESE PRECAUTIONS COULD RESULT IN PERSONAL INJURY AND/OR DAMAGE TO PROPERTY.

---

## WORK ENVIRONMENT

1. Keep the work area clean and tidy.
2. Dress appropriately - Do not wear loose clothing or jewellery. Tie long hair out of the way.
3. Keep children and visitors away - Do not let children handle the air tool.
4. Do not operate the air tool where there are flammable liquids or gases.

## USE OF AIR TOOLS

1. Stay alert and use common sense - do not operate the air tool when you are tired or under the influence of alcohol, drugs or medication.
2. Always wear eye protectors when using the air tool. Eye protectors must provide protection from flying particles from the front and the side.
3. Do not overreach - Keep proper footing and balance at all times.
4. Never use oxygen, CO<sup>2</sup>, combustible gasses or any type of bottled gas as a source of power for this tool.
5. Do not connect the air supply hose with your finger on the trigger.
6. Do not exceed the maximum pressure for the tool of 90 psi / 6.2 bar.
7. Keep the air supply hose away from heat, oil and sharp edges.
8. Do not fit the air tool to any stand or clamping device that may damage it.
9. Check hoses for leaks or worn condition before use and ensure that all connections are secure.
10. Do not use the air tool for any purpose than that described in this manual.
11. Do not carry out any alterations or modifications to the air tool.
12. Always disconnect from the air supply when performing any maintenance.
13. Never use the air tool if it is defective or operating abnormally.
14. Always maintain the air tool with care. Keep it clean for the best and safest performance.
15. Never discharge this blow gun at any persons or animals.

16. Take care that when starting work, the blow gun may recoil back towards the user.

## TRANSPORT & STORAGE

1. Never carry the blow gun by the air hose or with your finger on the trigger.
2. When not in use the blow gun should be disconnected from the air supply and stored in a dry place out of the reach of children.
3. Avoid storing the tool where the temperature is below 0°C.

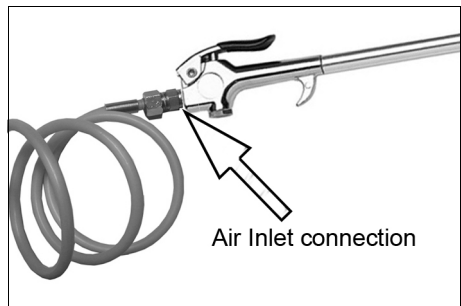
**Please keep these instructions in a safe place for future reference.**

---

## BEFORE USE

---

1. Ensure the compressor is turned off.
2. Connect a suitable hose as shown to the air inlet connector of the blow gun.
3. Connect the other end of the hose to the air supply.
4. Turn on the air supply and check for any air leaks. Rectify any found before proceeding.
  - PTFE tape may be useful for sealing any threaded connections.
5. Your blow gun is now ready for use.
  - You can fit a whip hose with a quick fit coupling if required, available from your Clarke dealer.
6. Set the compressed air pressure at the airline regulator to suit the type of work being done.



---

# MAINTENANCE

---



**WARNING: MAKE SURE THAT THE BLOW GUN IS DISCONNECTED FROM THE AIR SUPPLY BEFORE STARTING ANY CLEANING OR MAINTENANCE PROCEDURES.**

---

1. Before use, drain water from the airline filter and compressor.
2. Clean thoroughly after use with a suitable solvent.

## PERFORMANCE

Please note that factors other than the tool may effect its operation and efficiency such as reduced compressor output, excessive drain on the airline, moisture or restrictions in the air-line, or the use of connectors of improper size or poor condition which will reduce air supply.

Your Clarke air tool has been designed to give long and trouble free service. If, however, having followed the instructions in this booklet carefully, you encounter problems, take the unit to your local Clarke dealer.

## DISCONNECTING THE AIR SUPPLY

1. Shut down the air compressor (referring to the compressor instruction manual if required).
  2. Vent the compressed air remaining in the tool by squeezing the trigger.
  3. Once the pressure has been released, disconnect the air supply hose from the air tool.
- 

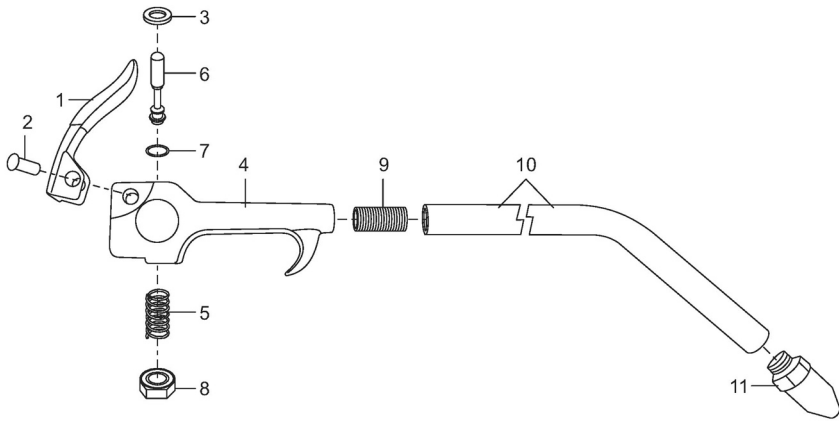
## ACCESSORIES

---

A wide range of accessories is available including filter/regulators, lubricators, high-pressure hoses (5 to 50 metres) etc.

Contact your Clarke dealer for further information or the Clarke International Service Department.

# COMPONENT PARTS



No	Description
1	Trigger
2	Bolt
3	Cushion
4	Main Housing
5	Spring
6	Valve Stem

No	Description
7	O-ring
8	Nut
9	Connection
10	Tube
11	Rubber Nozzle

# A SELECTION FROM THE VAST RANGE OF

# Clarke®

## QUALITY PRODUCTS

### AIR COMPRESSORS

From DIY to industrial, Plus air tools, spray guns and accessories.

### GENERATORS

Prime duty or emergency standby for business, home and leisure.

### POWER WASHERS

Hot and cold, electric and engine driven - we have what you need

### WELDERS

Mig, Arc, Tig and Spot. From DIY to auto/industrial.

### METALWORKING

Drills, grinders and saws for DIY and professional use.

### WOODWORKING

Saws, sanders, lathes, mortisers and dust extraction.

### HYDRAULICS

Cranes, body repair kits, transmission jacks for all types of workshop use.

### WATER PUMPS

Submersible, electric and engine driven for DIY, agriculture and industry.

### POWER TOOLS

Angle grinders, cordless drill sets, saws and sanders.

### STARTERS/CHARGERS

All sizes for car and commercial use.



**PARTS & SERVICE: 0208 988 7400**

**E-mail: [Parts@clarkeinternational.com](mailto:Parts@clarkeinternational.com) or [Service@clarkeinternational.com](mailto:Service@clarkeinternational.com)**

**SALES: UK 01992 565333 or Export 00 44 (0)1992 565335**

**Clarke® INTERNATIONAL** Hemnall Street, Epping, Essex CM16 4LG  
[www.clarkeinternational.com](http://www.clarkeinternational.com)